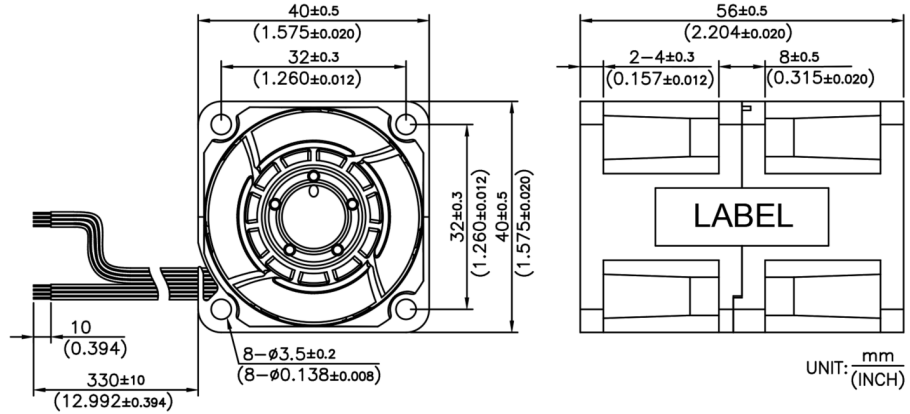
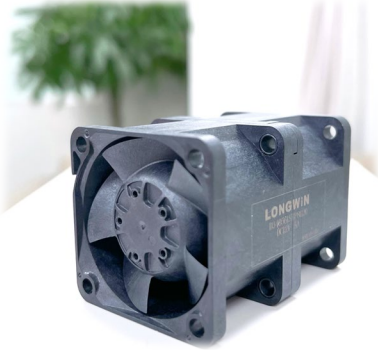
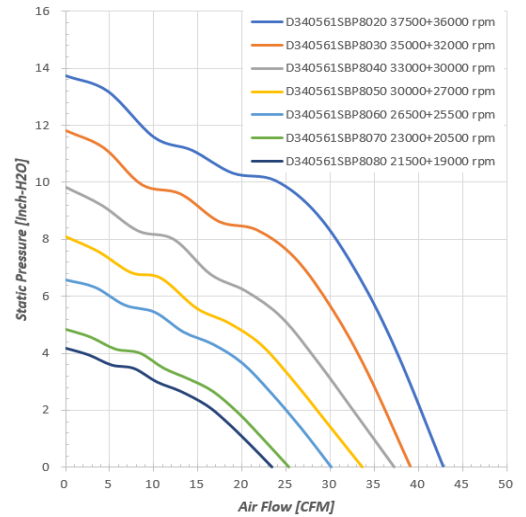


iCloud Fan 40*40*56 MM

DIMENSION DRAWING



Housing : Plastic (UL 94V-0)
 Impeller : Plastic (UL 94V-0)
 Bearing : Ball bearing
 Lead Wires : UL10368 AWG26 OR Equivalent
 Mass : 90g



Model No.		Rated Voltage	Operating Voltage Range	Current	Power	Inlet fan Speed	Outlet fan Speed	Air Flow		Air Pressure		Noise
		V	VDC	A	W	R.P.M	R.P.M	CFM	m ³ /min	inH2O	mmH2O	dB(A)
D340561S	BP8020	12	10.8~13.2	5.08	61.0	37500	36000	42.7	1.21	13.7	349	76.9
D340561S	BP8030	12	10.8~13.2	3.90	46.8	35000	32000	39.1	1.11	11.8	300	75.3
D140561H	BP8040	12	10.8~13.2	3.63	43.6	33000	30000	37.2	1.05	9.82	249	74.8
D140561H	BP8050	12	10.8~13.2	2.70	32.4	30000	27000	33.6	0.95	8.08	205	73.6
D140561H	BP8060	12	10.8~13.2	2.19	26.3	26500	25500	30.1	0.85	6.56	167	72.1
D140561H	BP8070	12	10.8~13.2	1.41	16.9	23000	20500	25.3	0.71	4.85	123	67.8
D140561H	BP8080	12	10.8~13.2	1.17	14.1	21500	19000	23.4	0.66	4.19	106	65.9